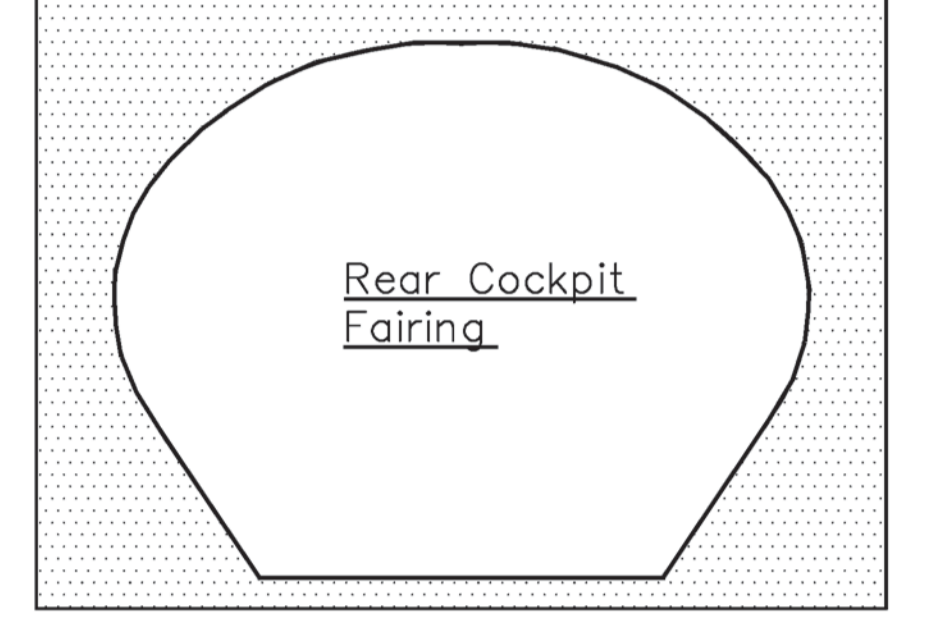
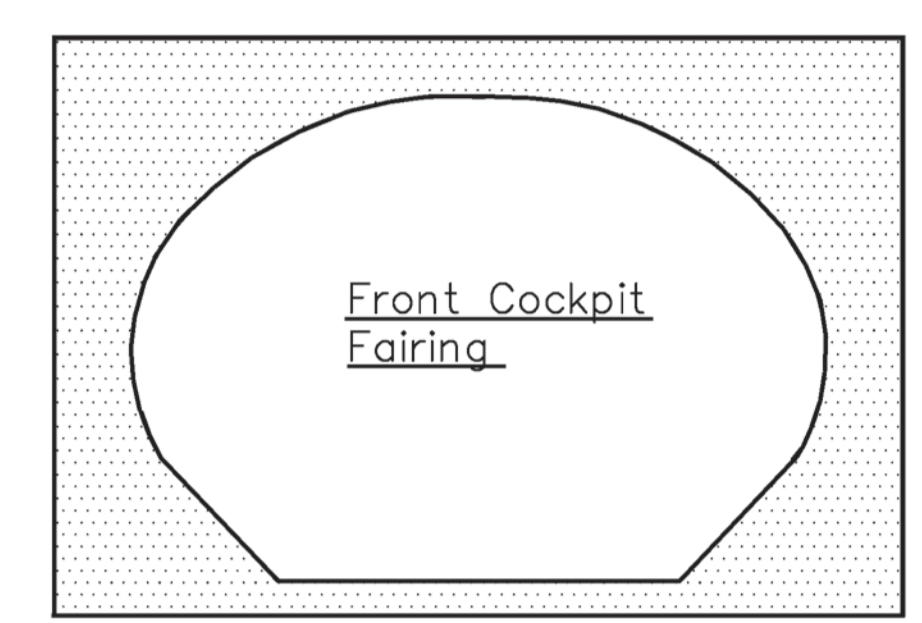
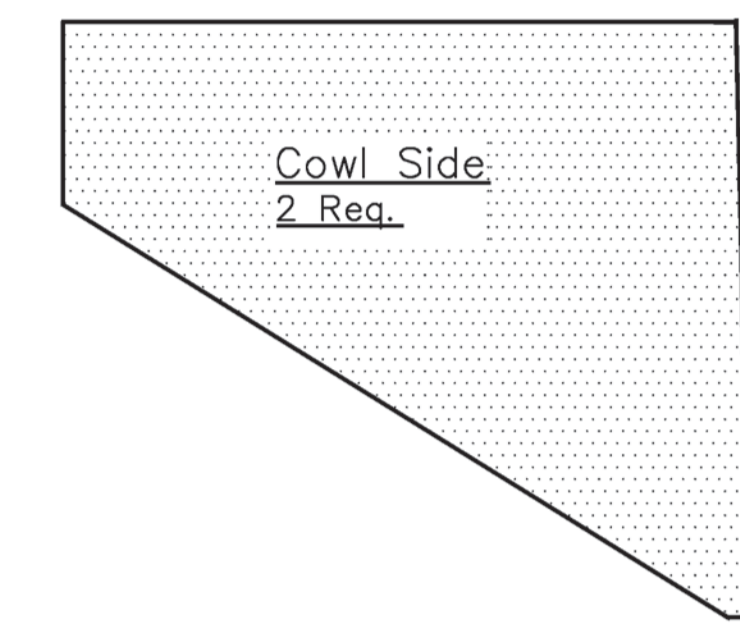
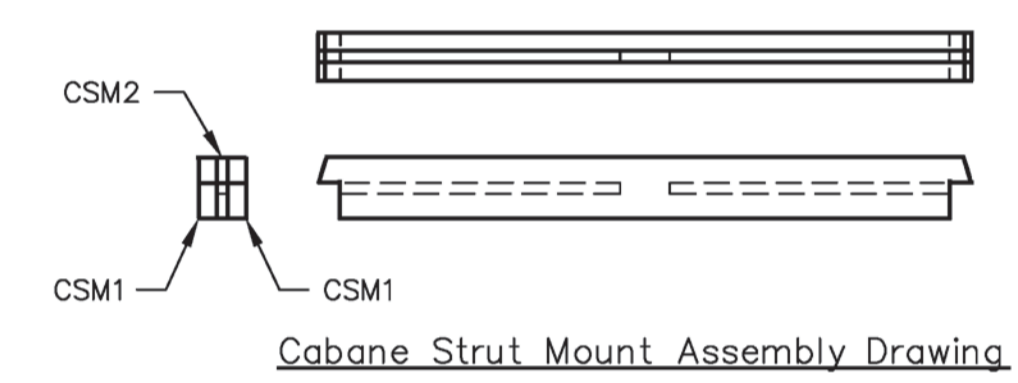
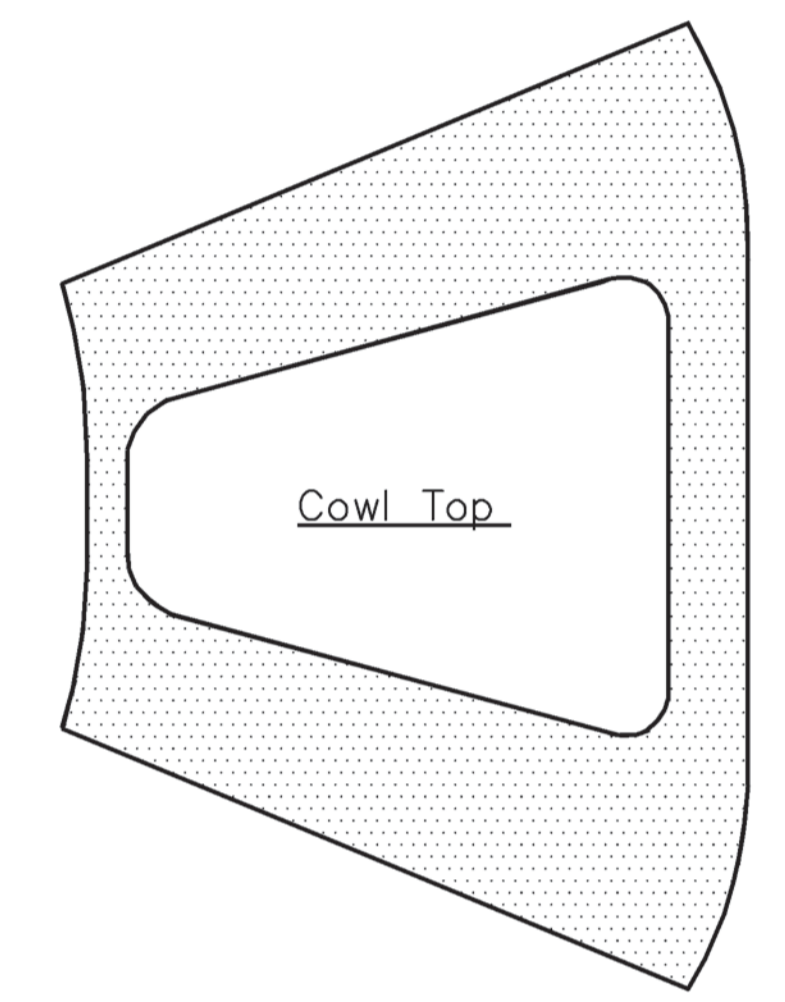
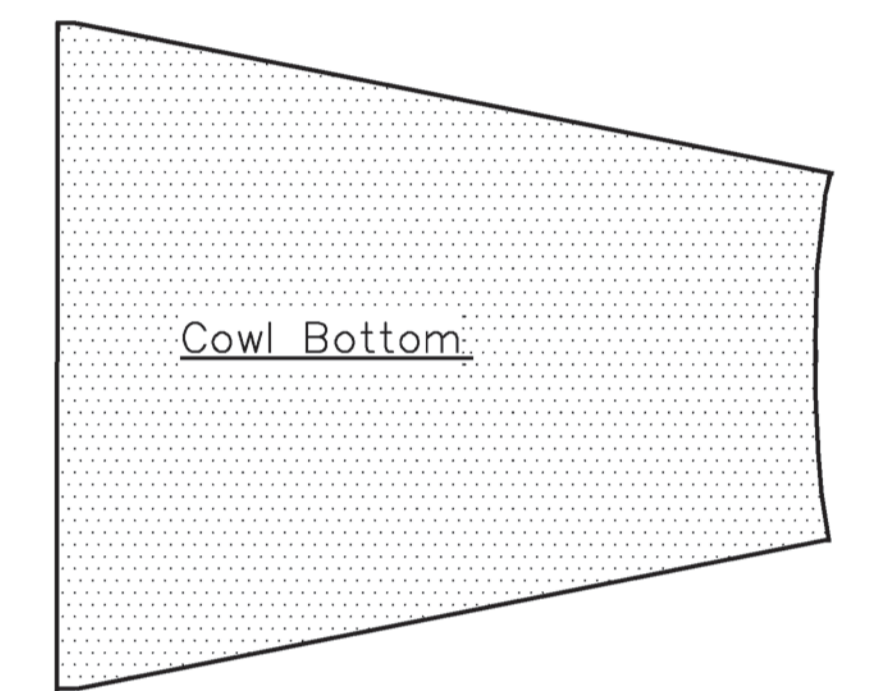


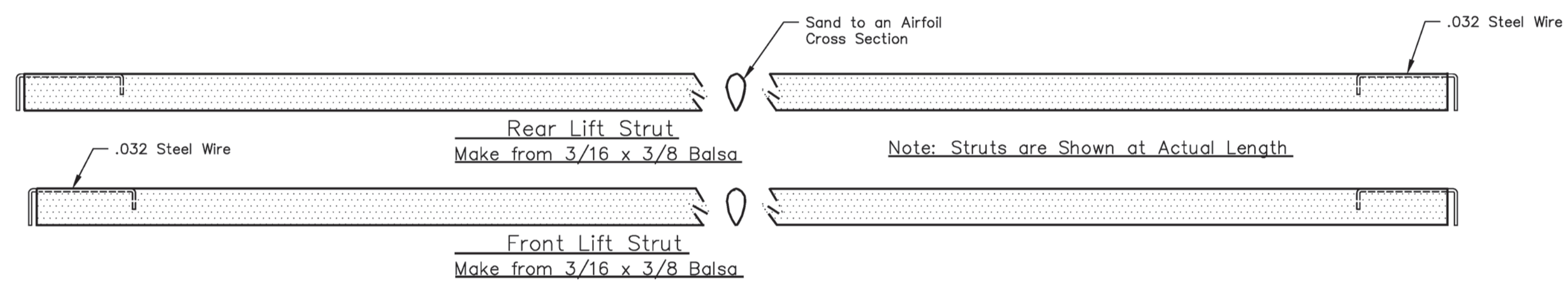
Note: Remove This Stick and Glue Firewall in of This Location when the Fuselage Sides are Joined



Cutting Patterns for Parts made from Manila File Folder

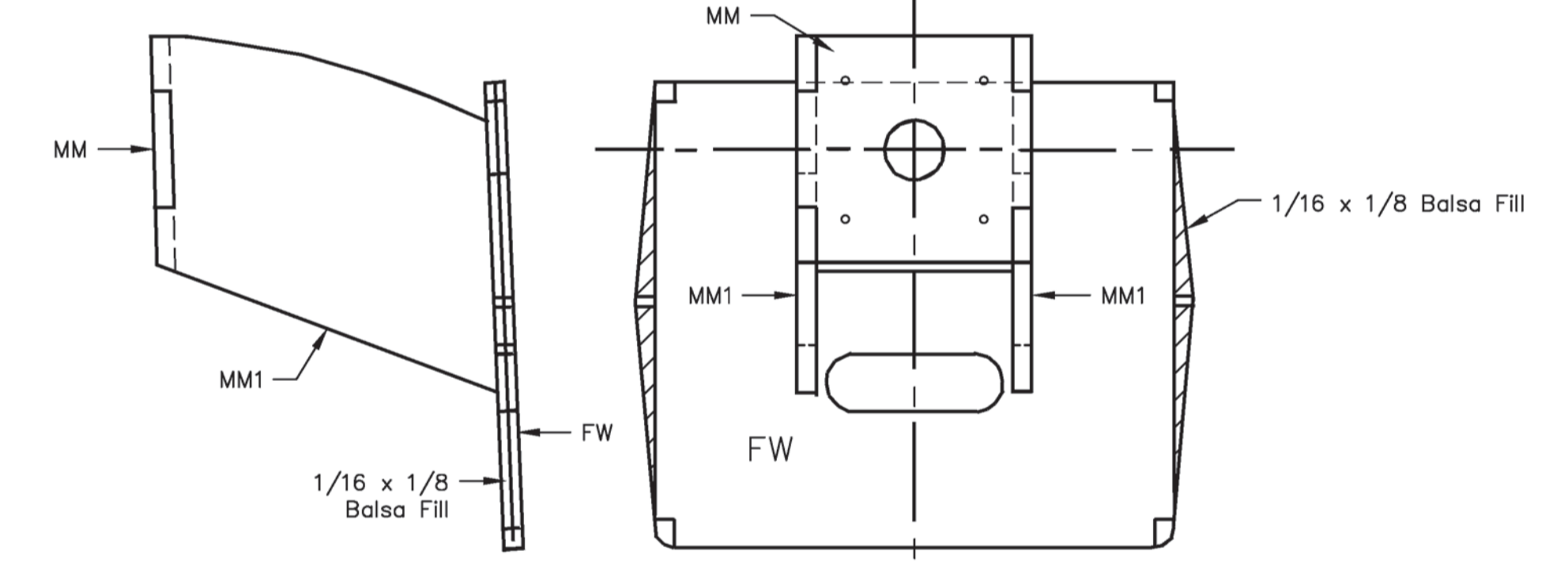
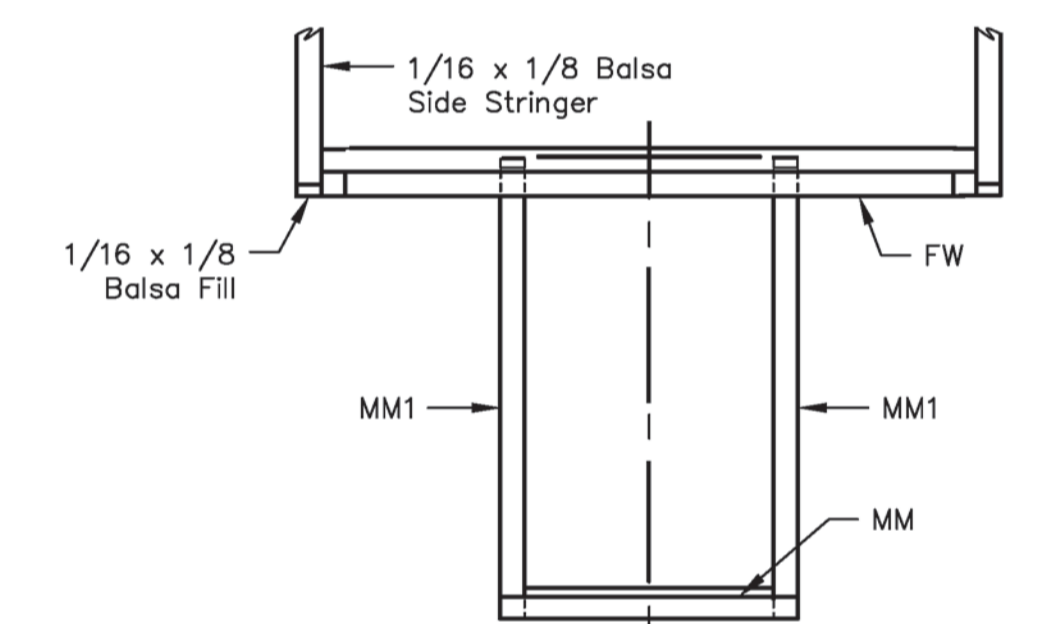
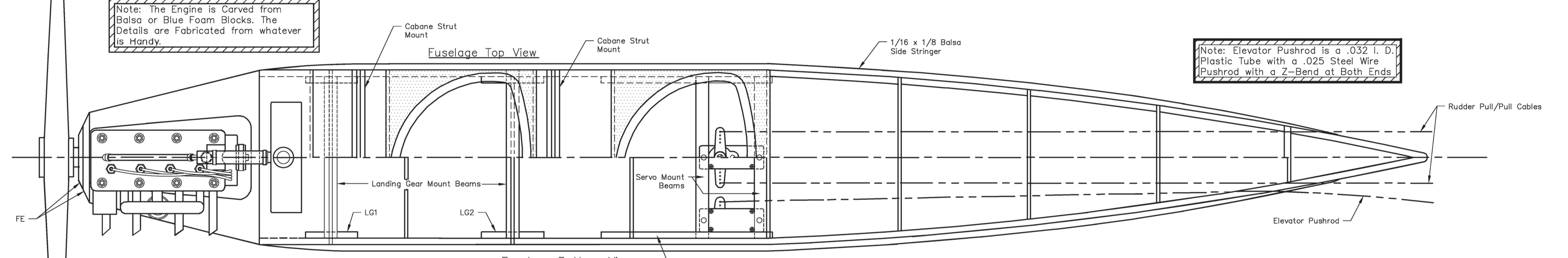


**Landing Gear Mount Beam**  
 Make from 1/8 x 1/4 Balsa  
 Gauge a 1/16 Slot 2 Req.



Note: The Engine is Carved from Balsa or Blue Foam Blocks. The Details are Fabricated from whatever is Handy.

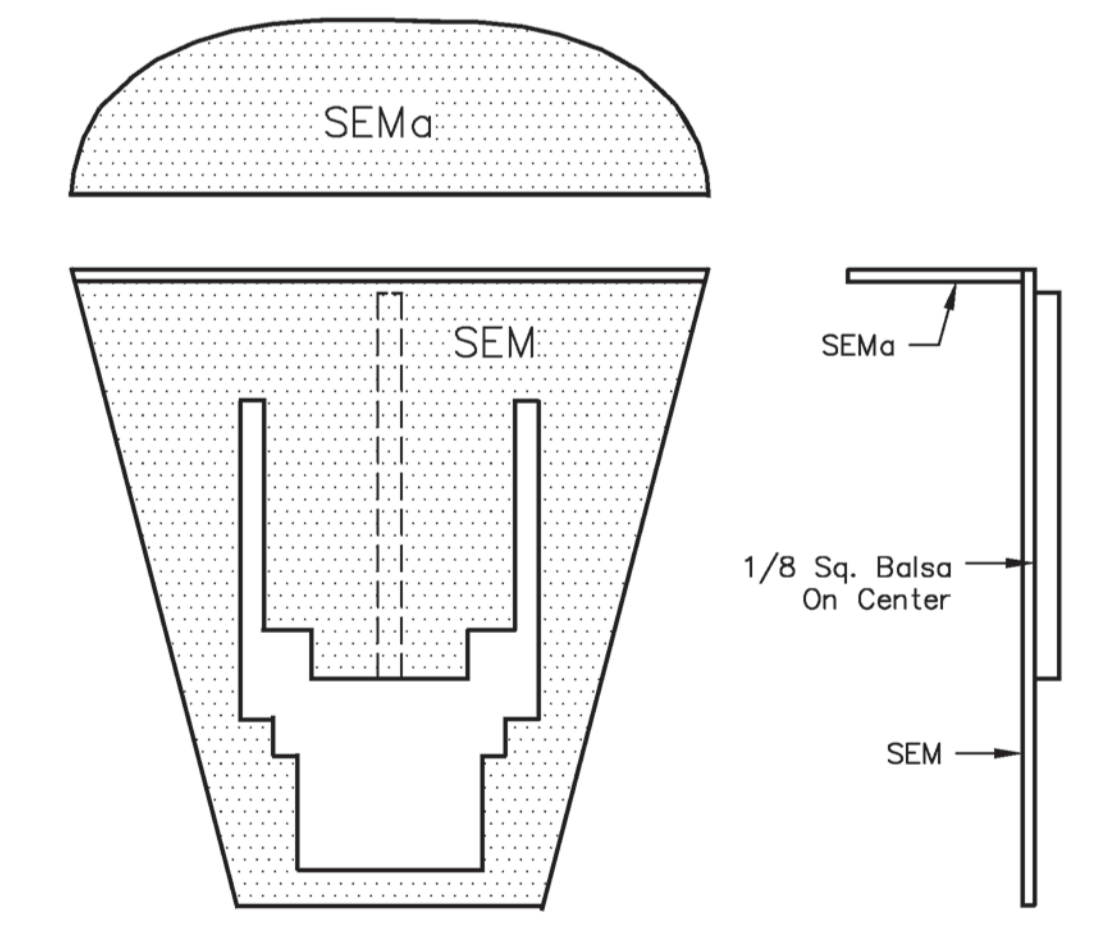
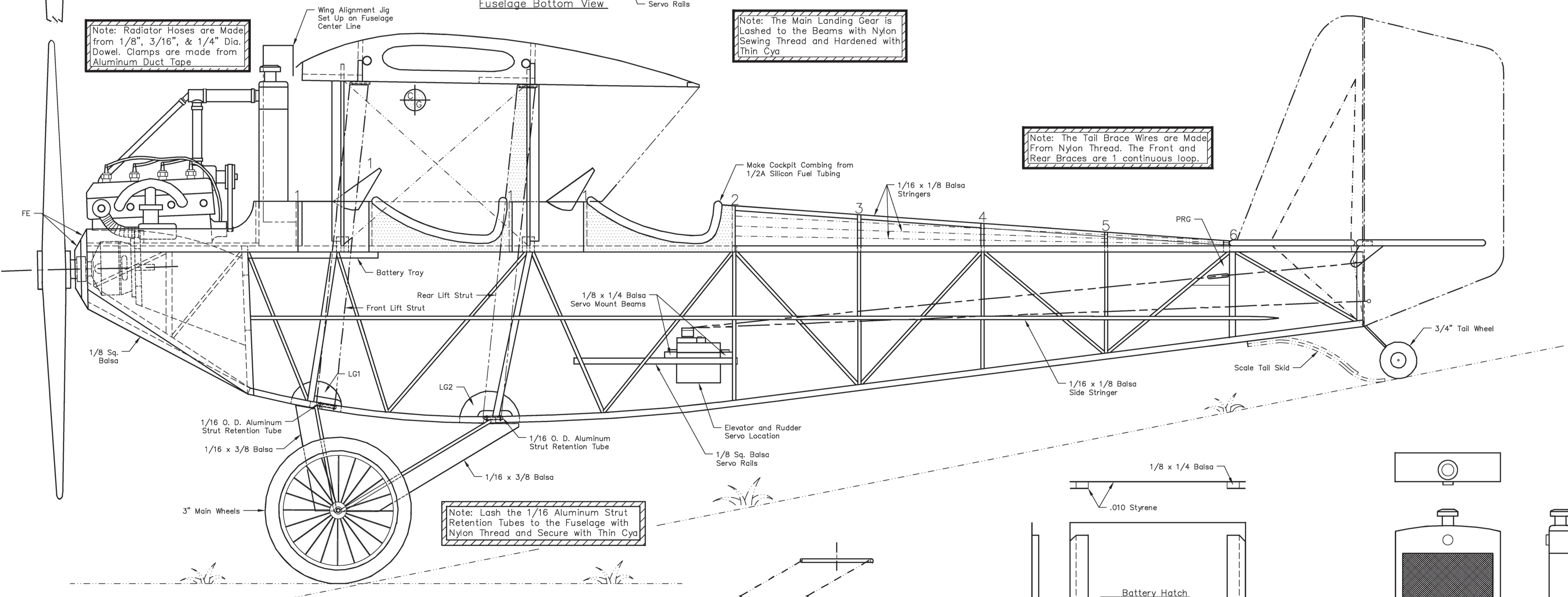
Note: Elevator Pushrod is a .032 I. D. Plastic Tube with a .025 Steel Wire Pushrod with a Z-Bend at Both Ends



Note: Radiator Hoses are Made from 1/8", 3/16", & 1/4" Dia. Dowel. Clamps are made from Aluminum Duct Tape

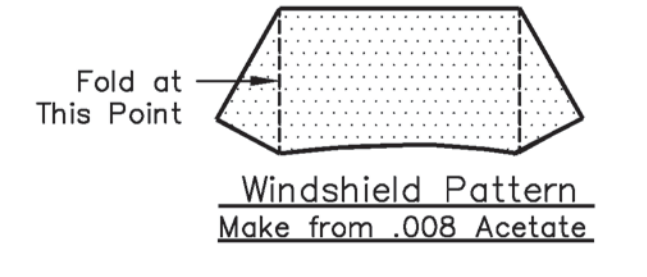
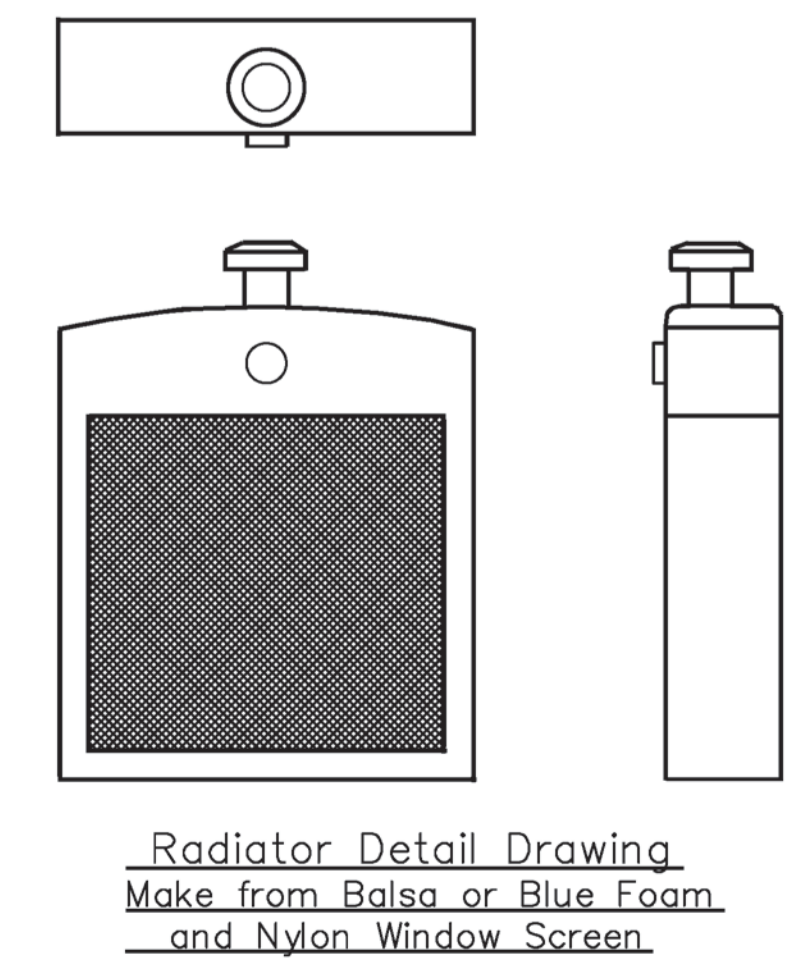
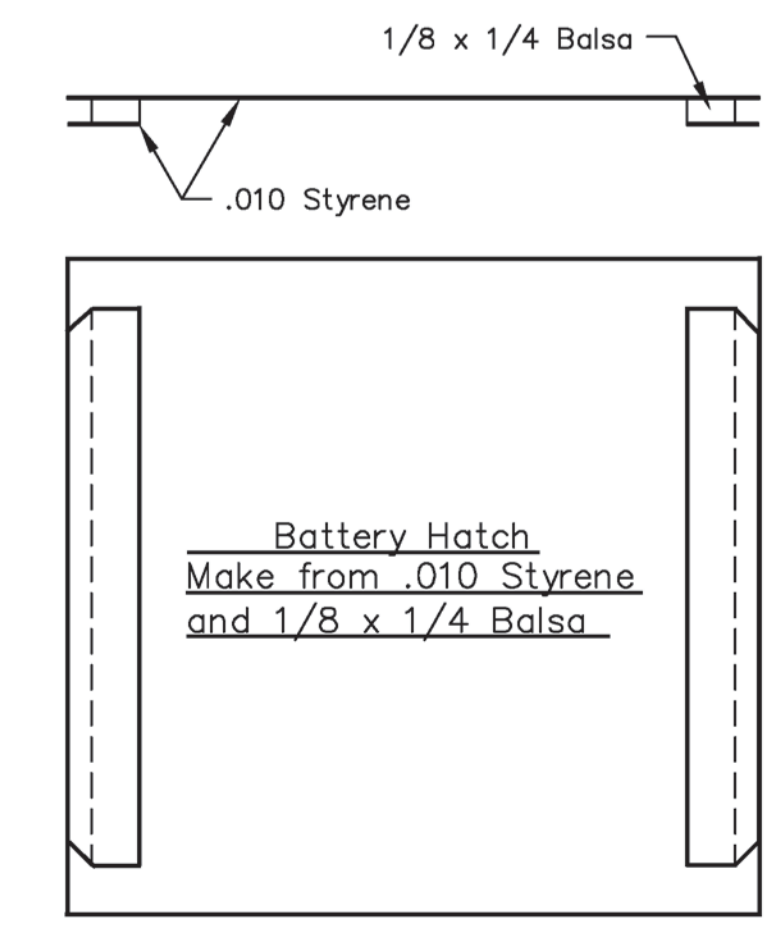
Note: The Main Landing Gear is Lashed to the Beams with Nylon Sewing Thread and Hardened with Thin Cyd

Note: The Tail Brace Wires are Made From Nylon Thread. The Front and Rear Braces are 1 continuous loop.



Copyright 2017 AMA and ModelAviation  
 Copying for resale of this drawing without the written approval or consent of AMA is expressly prohibited.

**Battery Tray**  
 Make from 1/8 Lite Ply.



**Pietenpol Aircamper**

Span: 48" Len.: 30.25"
Wing Area: 400 Sq. Inches
Flying Weight: 14.7 oz.
Wing Loading: 5.3 oz./ Sq. Ft.

Des. by: Pat Tritle for Model Aviation Magazine 3-20-2017 Sht. 1 of 2  
 Plan No. 1103